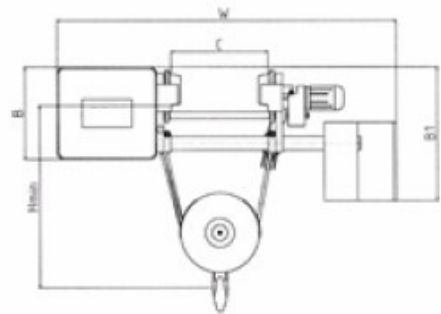
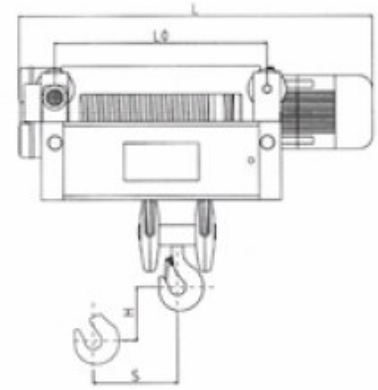


Low Headroom Electric Wire Rope Hoist(4/1Rope Reeving)



Type	Capacity	Classification	(Kw) Motor power	(m/min) Lifting speed	(m/min) traveling speed	Dimension	Lifting height					
							6m	9m	12m	18m	24m	30m
SH3-4/1D	2	M4	1.5 1.5/0.4	4.2 4.2/1.6	15 15/5	L	1080	1274	1468	1662		
						L0	518	712	906	1100		
						S	96	144	192	240		
SH4-4/1D	4	M4	3 3/0.8	3.7 3.7/0.9	15 15/5	L	1240	1449	1657	1866		
						L0	597	806	1014	1223		
						S	105	157	209	261		
SH5-4/1D	6.3	M4	4.5 4.5/1.0	3.5 3.5/0.8	15 15/5	L	1378	1579	1815	2033		
						L0	632	851	1069	1287		
						S	110	164	219	273		
SH6-4/1D	10	M4	7.5 7.5/2.0	3.8 3.8/0.9	15 15/5	L	1464	1693	1922	2151		
						L0	688	917	1146	1375		
						S	118	177	236	295		
SH7-4/1D	16	M4	13 13/3.2	4 4/1	15 15/5	L	1706	1939	2172	2405		
						L0	738	971	1204	1473		
						S	117	175	233	292		

Type	B	B1	Hmin	W	C
SH3-4/1D	244	370	350	700~1000	100~400
SH4-4/1D	300	450	415	850~1290	110~450
SH5-4/1D	330	500	600	950~1320	130~500
SH6-4/1D	370	550	660	1060~1470	140~550
SH7-4/1D	440	650	760	1250~1650	150~550